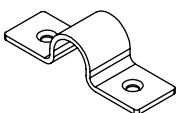

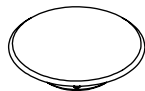
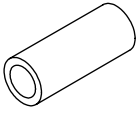
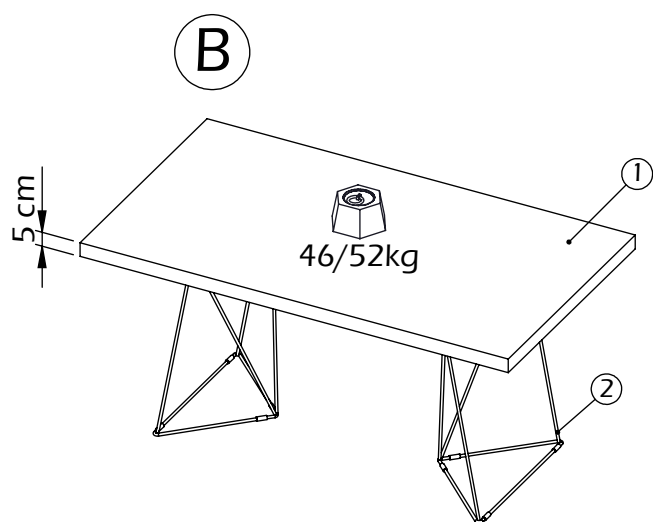
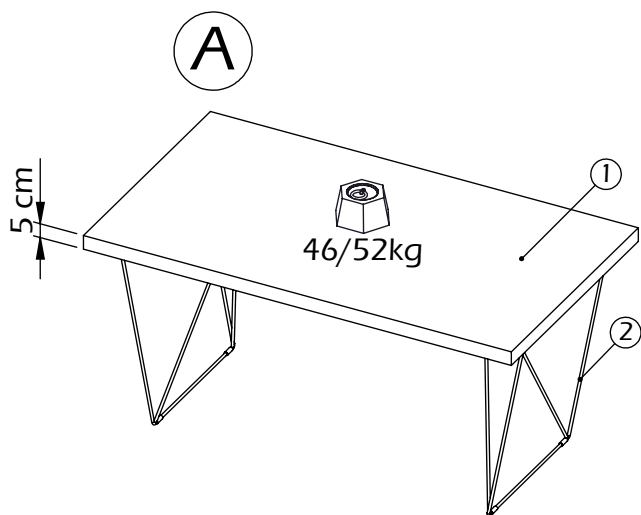


20min

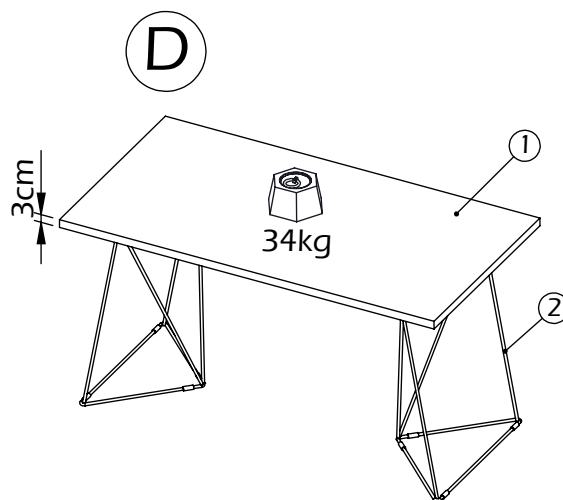
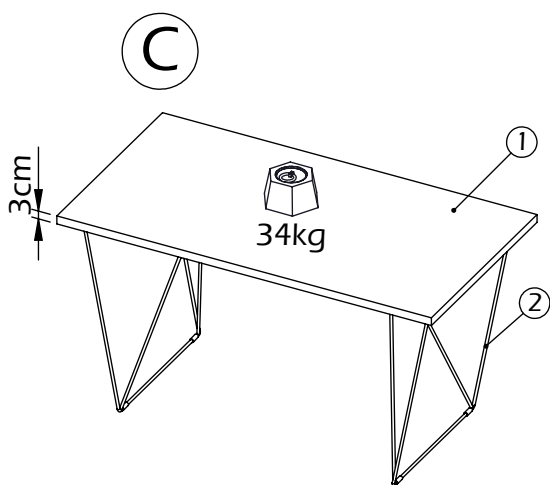
7200.280

| A - 6x | B - 12x | C - 4x | D - 12x |
|--|---|---|---|
|  |  |  |  |
| 0519.006 | 0512.009 | 0520.155 | 0520.070 |

IM-0623.275/18



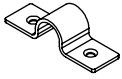
| n° | x | mm |
|----|---|----------------------|
| 1 | 1 | 1600/1800 x 900 x 53 |
| 2 | 2 | 720 x 585 x 314 |



| n° | x | mm |
|----|---|-----------------|
| 1 | 1 | 1400 x 750 x 29 |
| 2 | 2 | 720 x 585 x 314 |

A

A - 6x



50x15x2mm

B - 12x

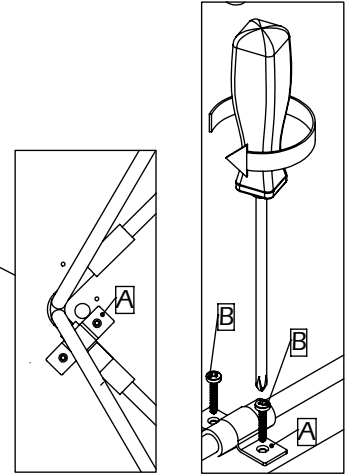
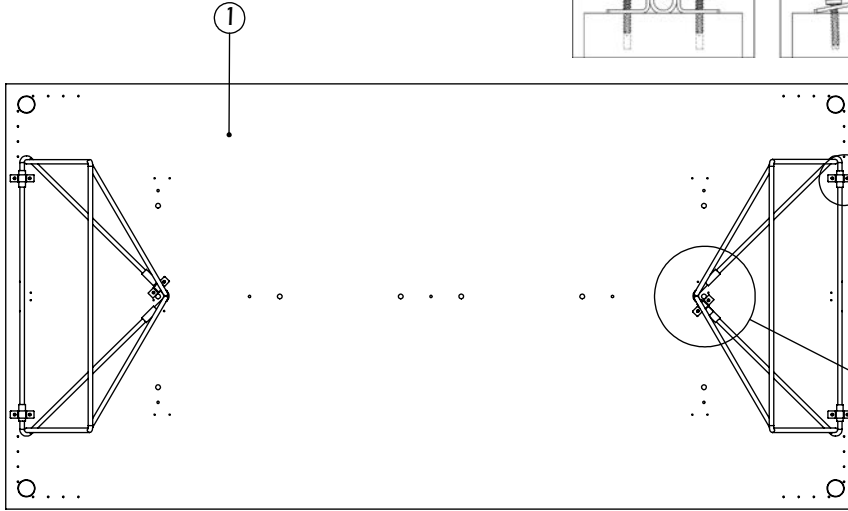
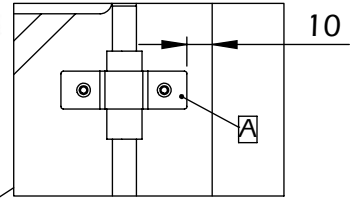
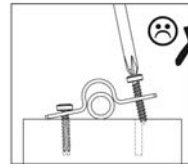
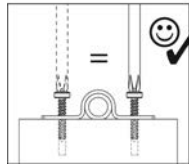
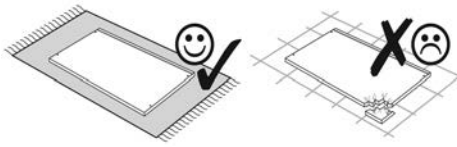


Ø3,5x20mm

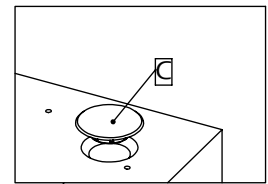
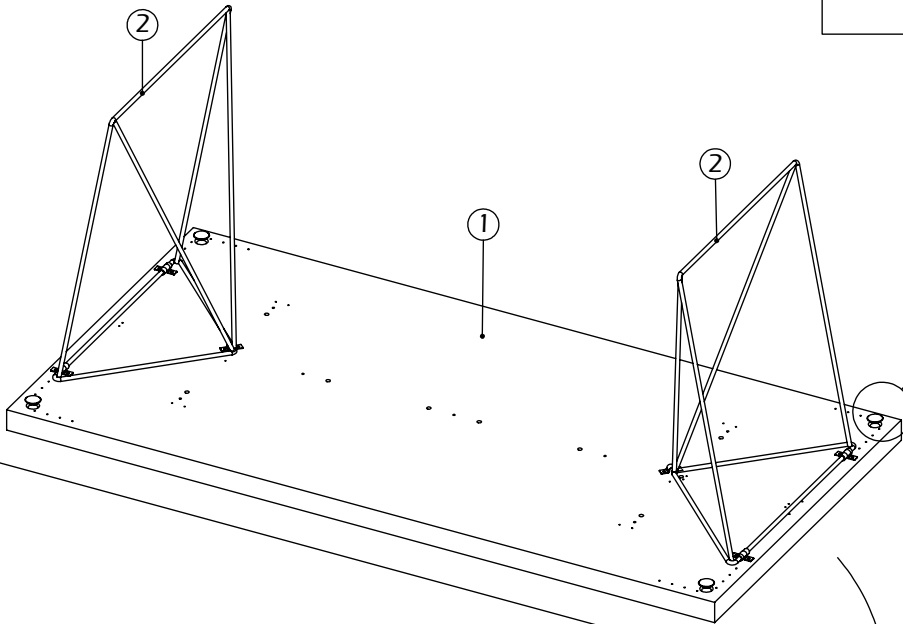
C - 8x



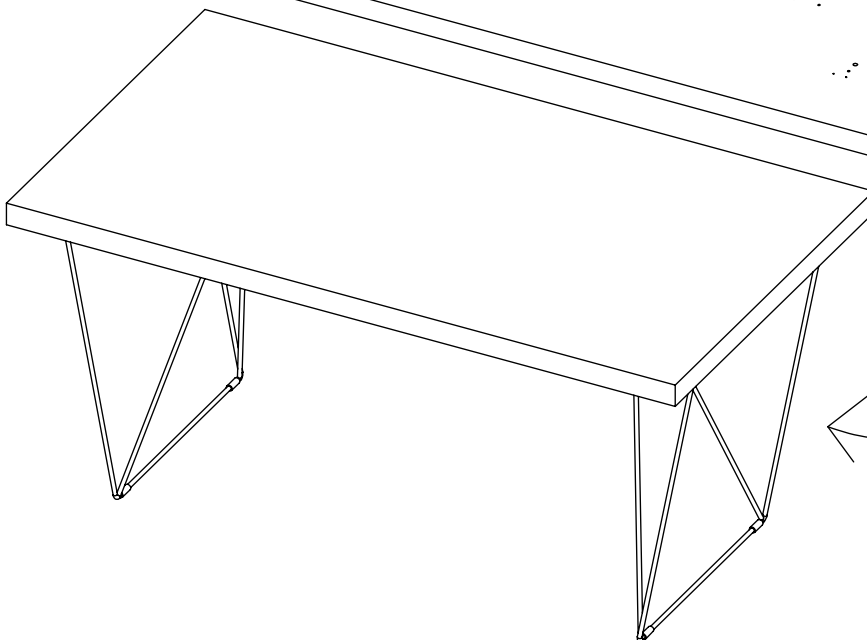
Ø36x8mm



B

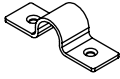




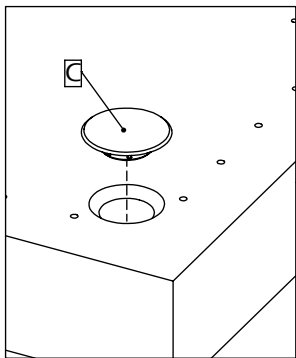
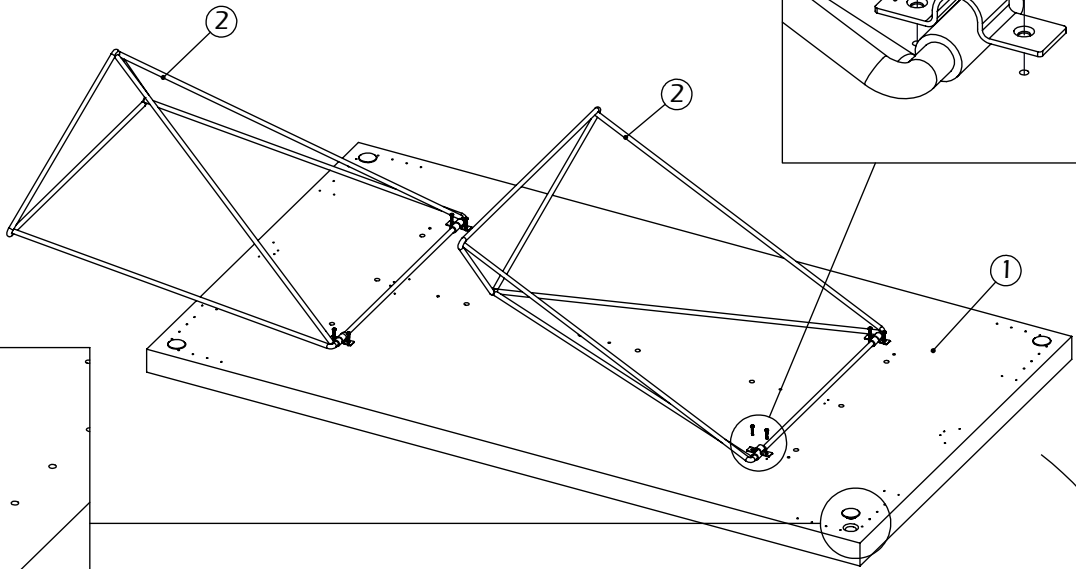
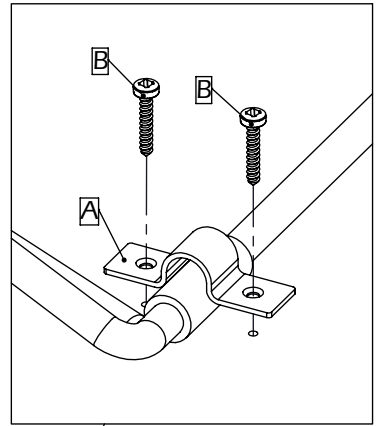
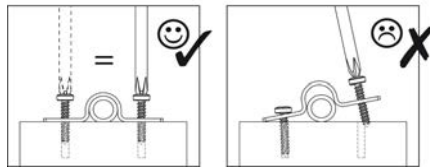
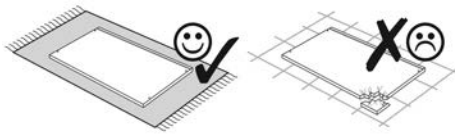
C



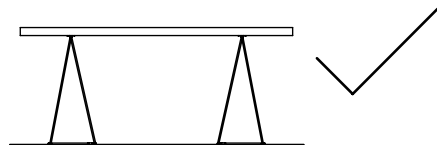
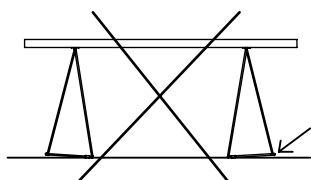
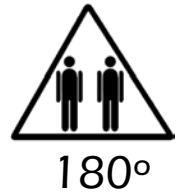
180°

B

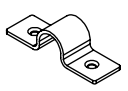


| | | |
|---|---|---|
| A - 4x  | B - 8x  | C - 4x  |
| 50x15x2mm | Ø3,5x20mm | Ø36x8mm |

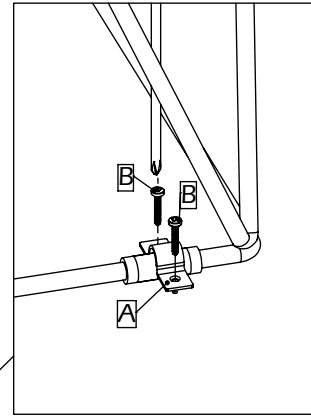
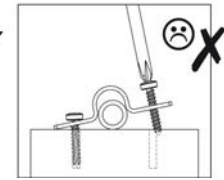
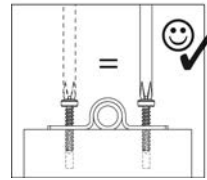
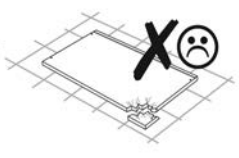
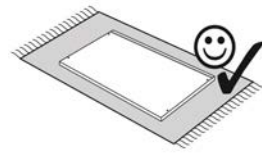
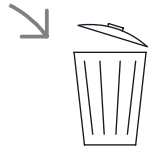


B

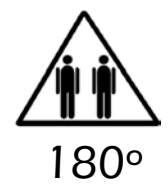
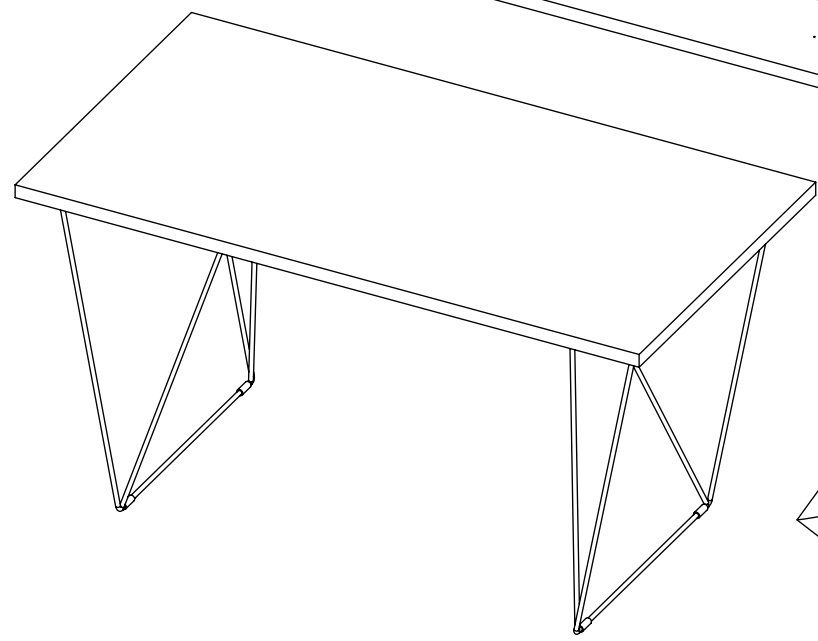
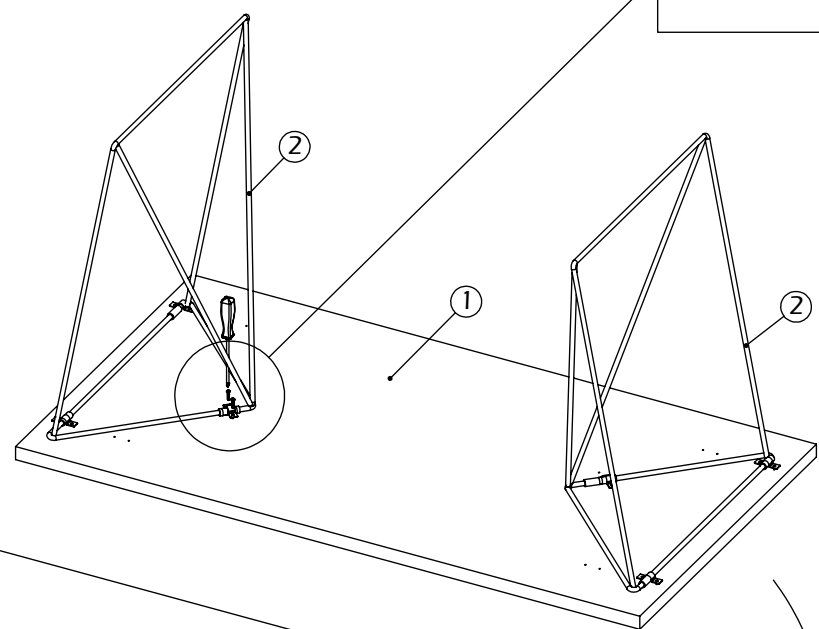


C

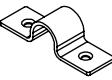


| | | |
|---|--|---|
| A - 6x  | B - 12x  | C - 4x  |
| 50x15x2mm | Ø3,5x20mm | Ø36x8mm |



A



D

| | | |
|---|---|---|
| A - 4x  | B - 8x  | C - 4x  |
| 50x15x2mm | Ø3,5x20mm | Ø36x8mm |

