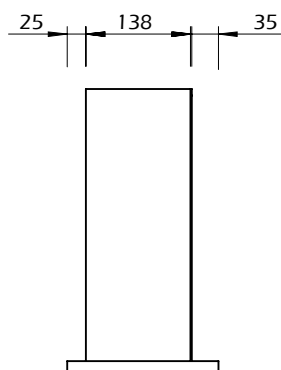
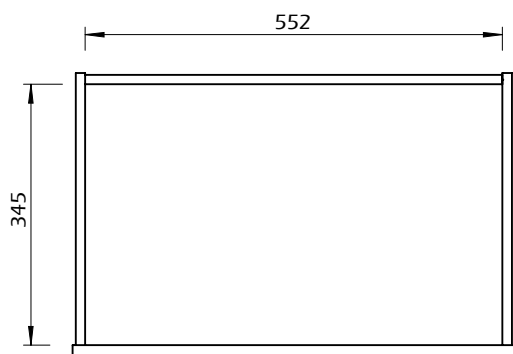
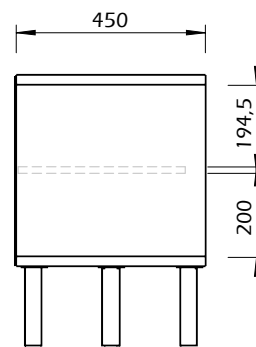
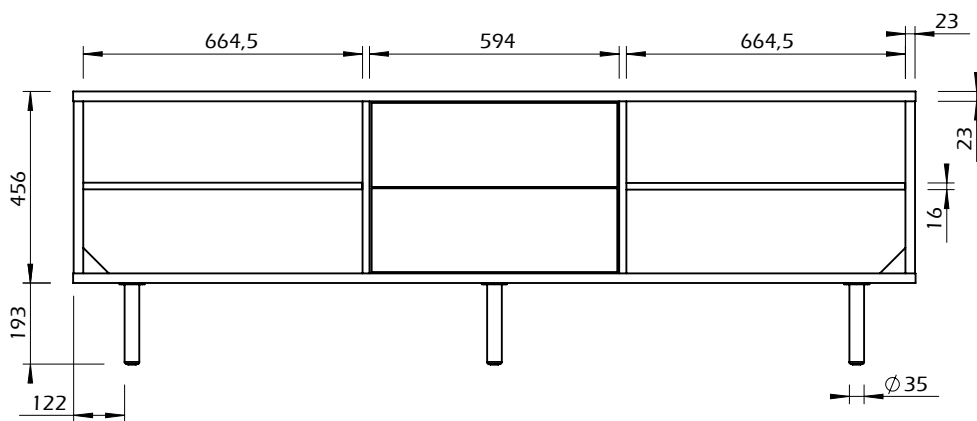
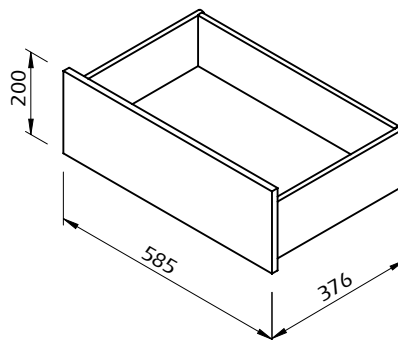
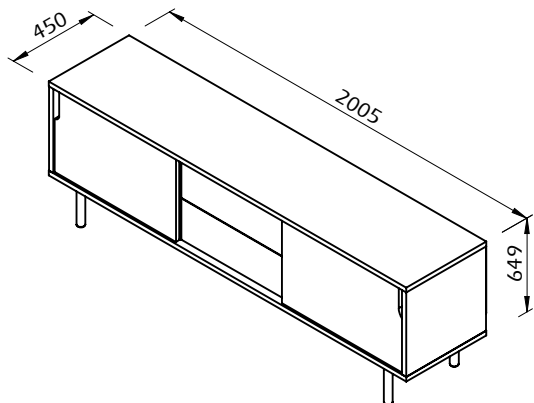
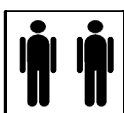


Technical Information

DANN



45min



30kg