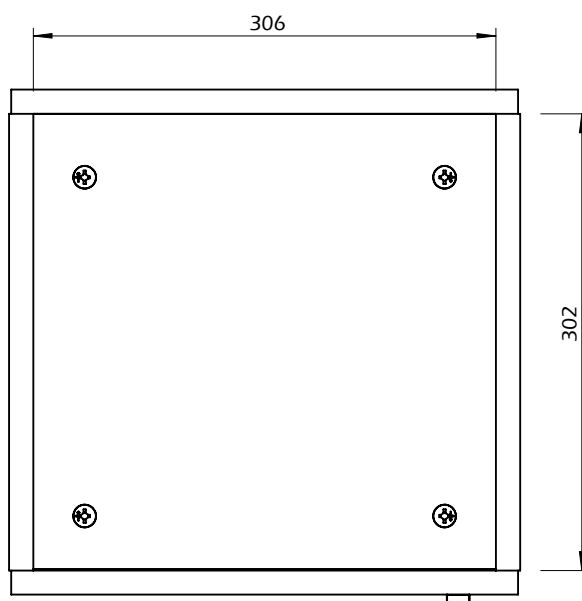
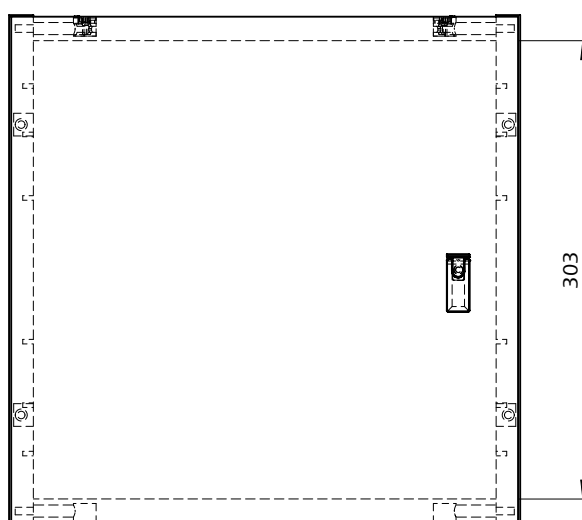
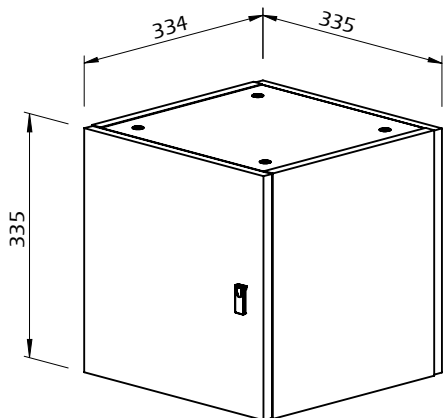
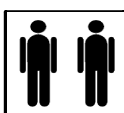


# Technical Information

## POMBAL DOOR UNIT 34x34



20min



00kg