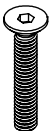


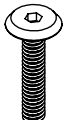
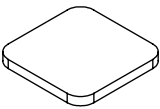

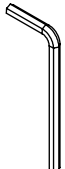
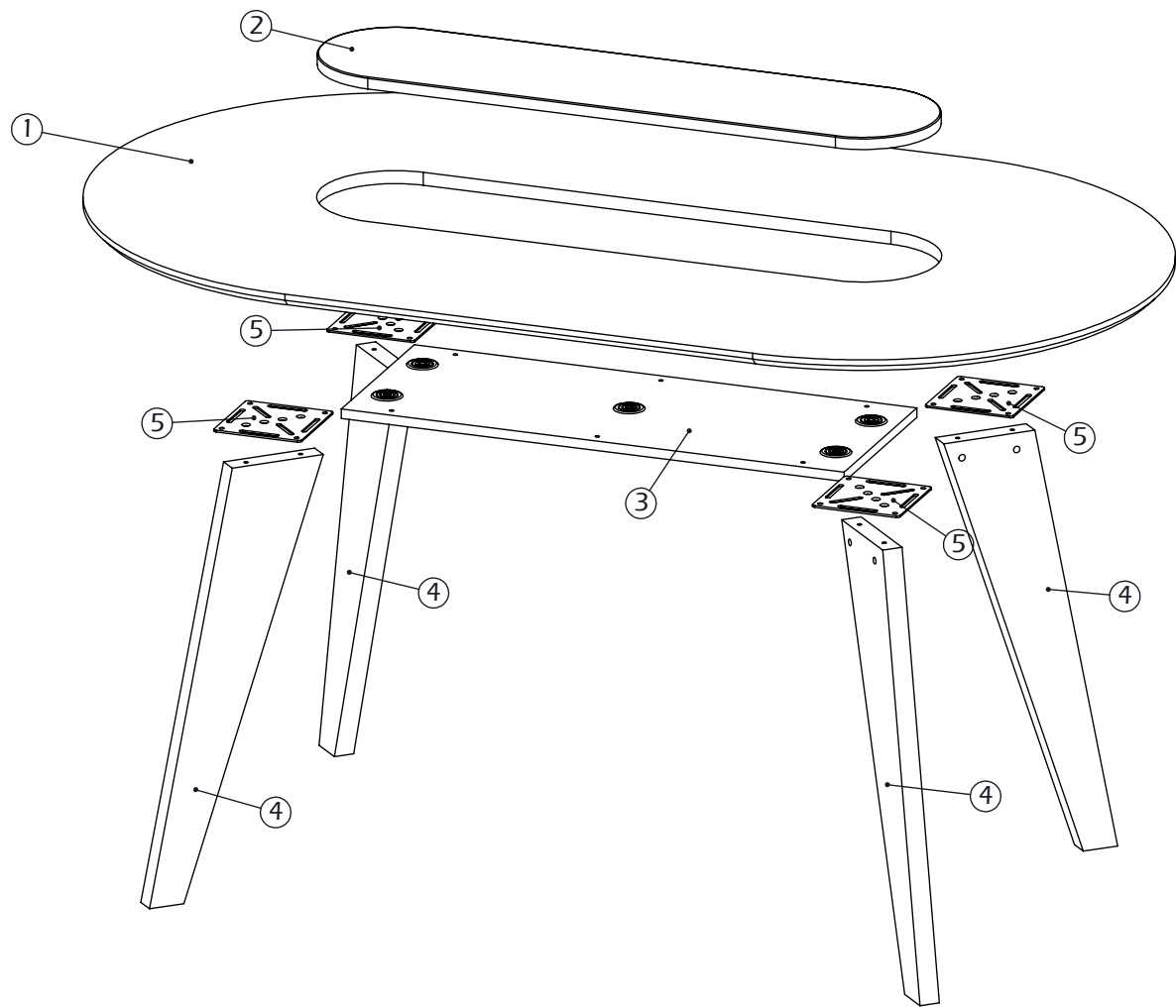


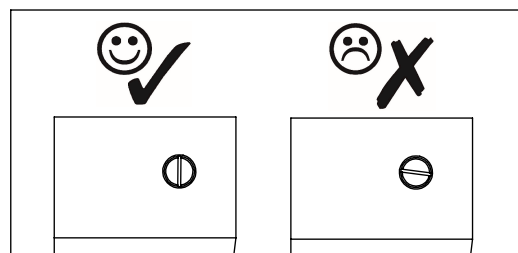
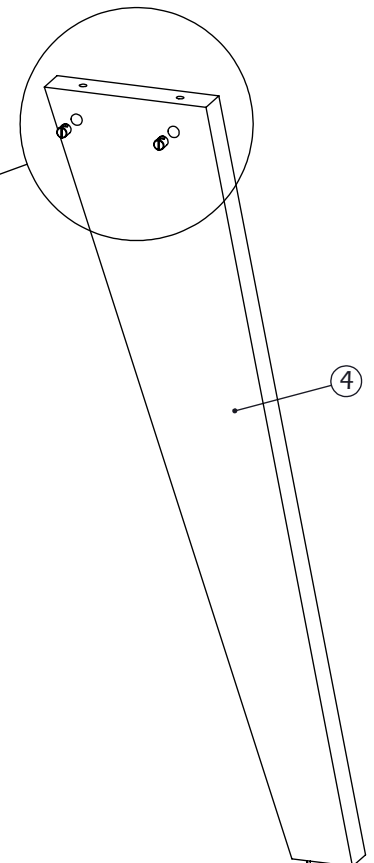
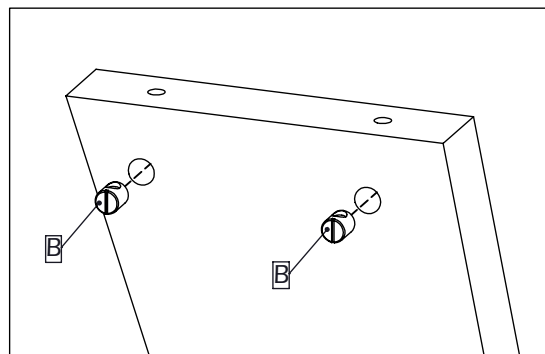
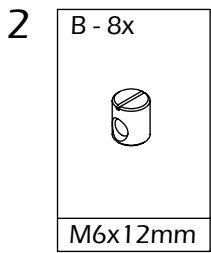
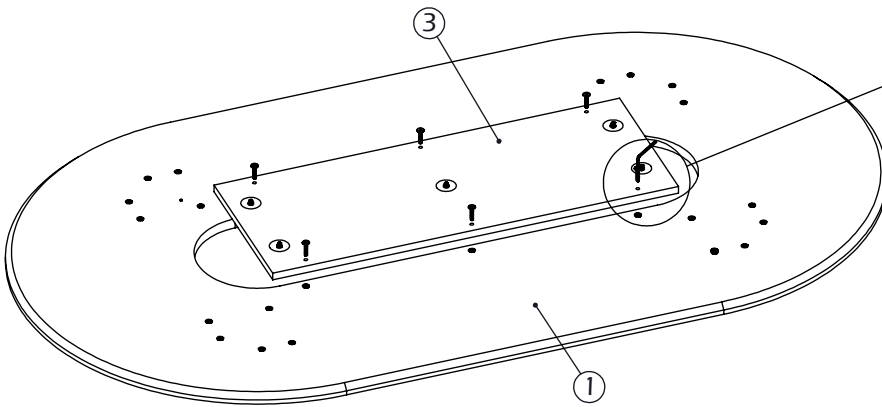
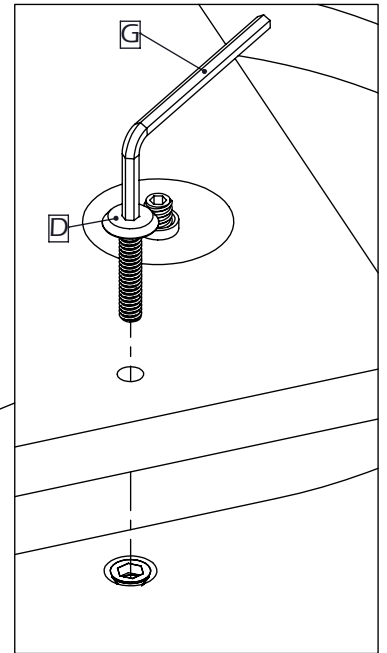
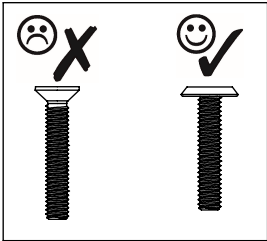
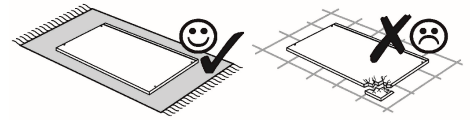
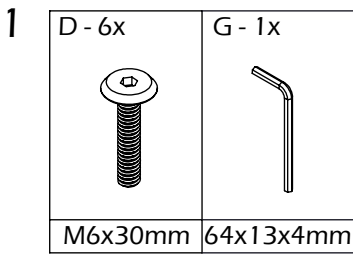
7200.852/346/782

40kg




A - 8x	B - 8x	C - 20x	D - 6x	E - 4x	F - 8x	G - 1x
						
M6x35mm 0512.167	M6x12mm 0512.066	M6x16mm 0512.129	M6x30mm 0512.191	32x32x3mm 0992.002	Ø20x1mm 0520.011	64x13x4mm 0900.184

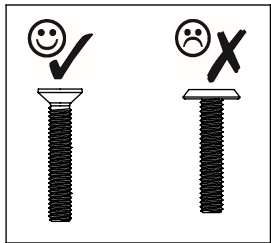
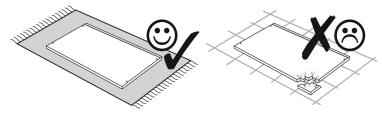
IM-0623.1188/0



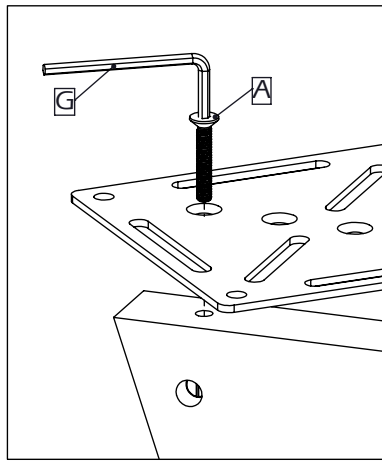


3

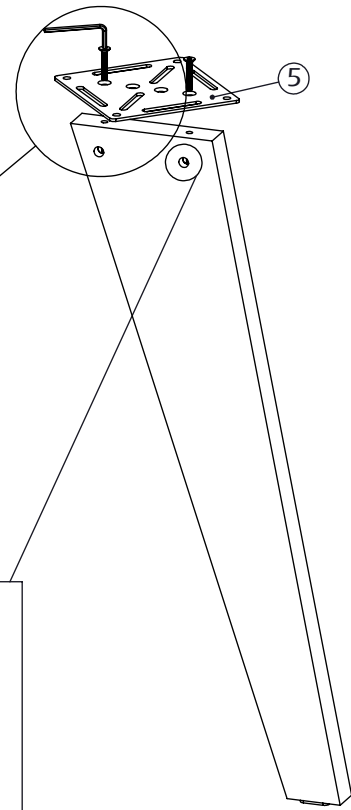
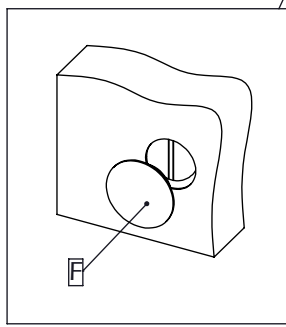
A - 8x 	G - 1x 	F - 8x 
M6x35mm	64x13x4mm	Ø20x1mm



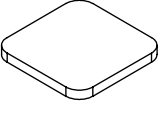
1°

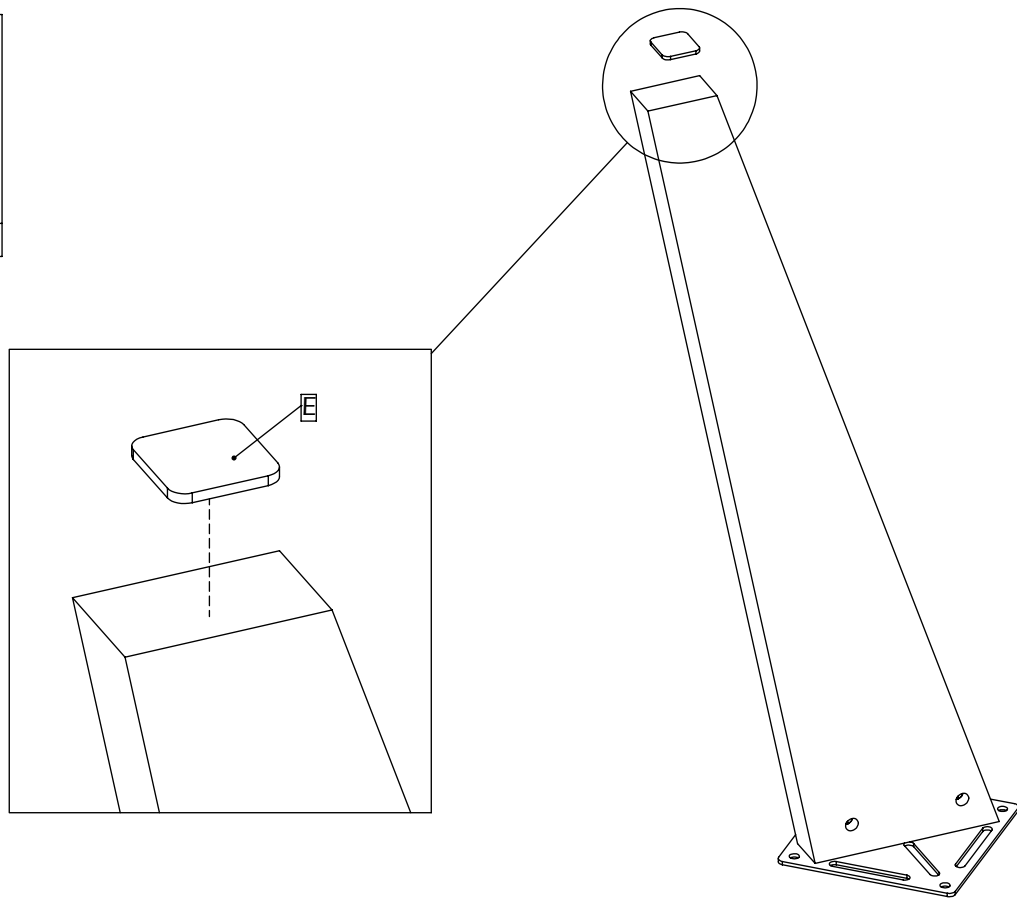


2°



4

E - 4x 
32x32x3mm



5

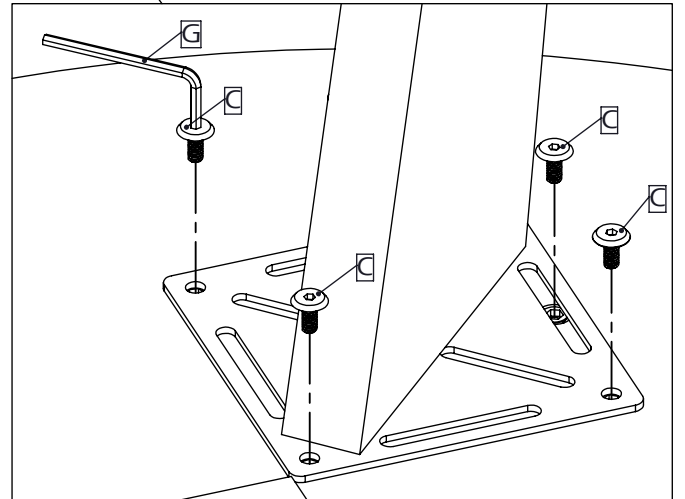
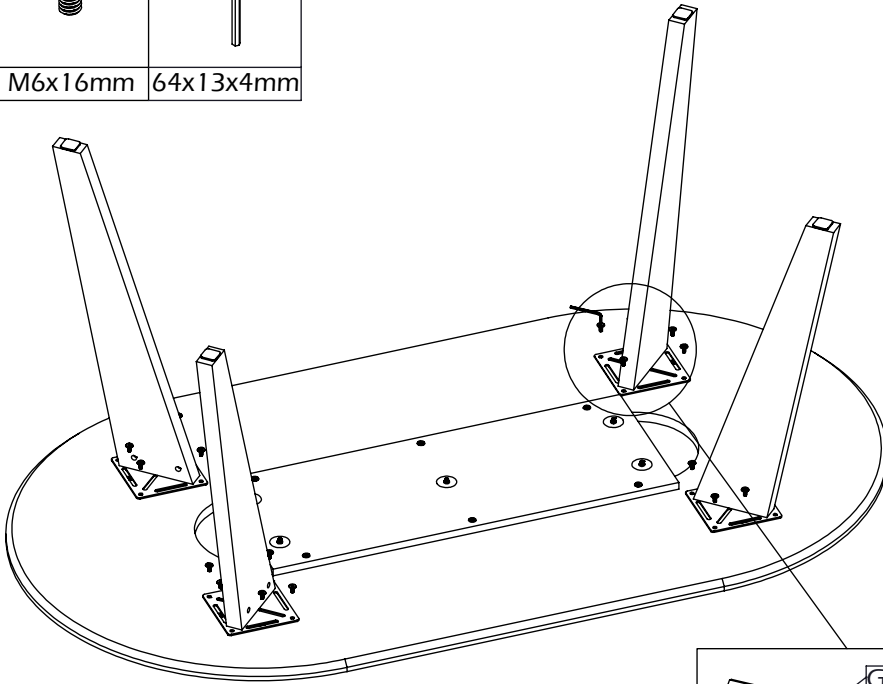
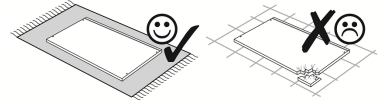
C - 20x

G - 1x

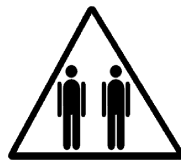


M6x16mm

64x13x4mm



6



180°

