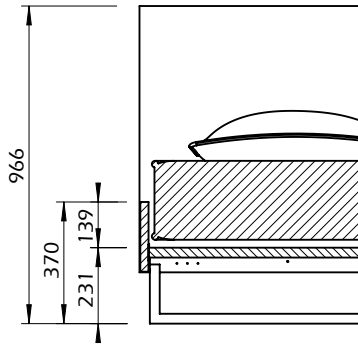
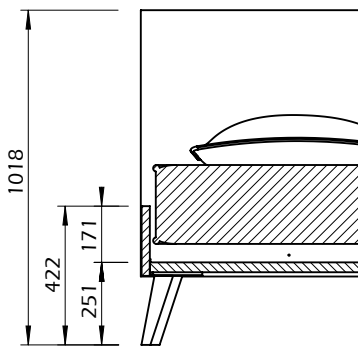
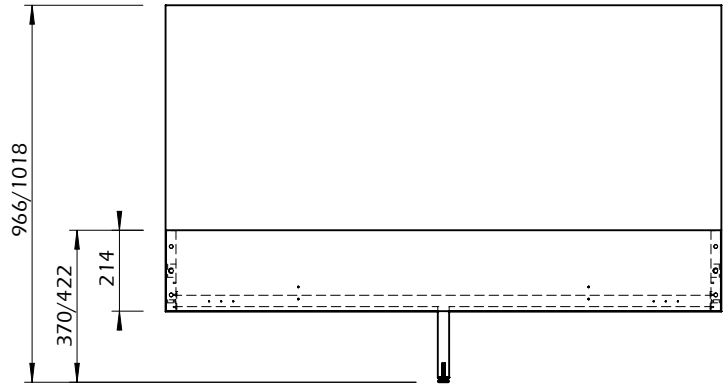


Technical Information

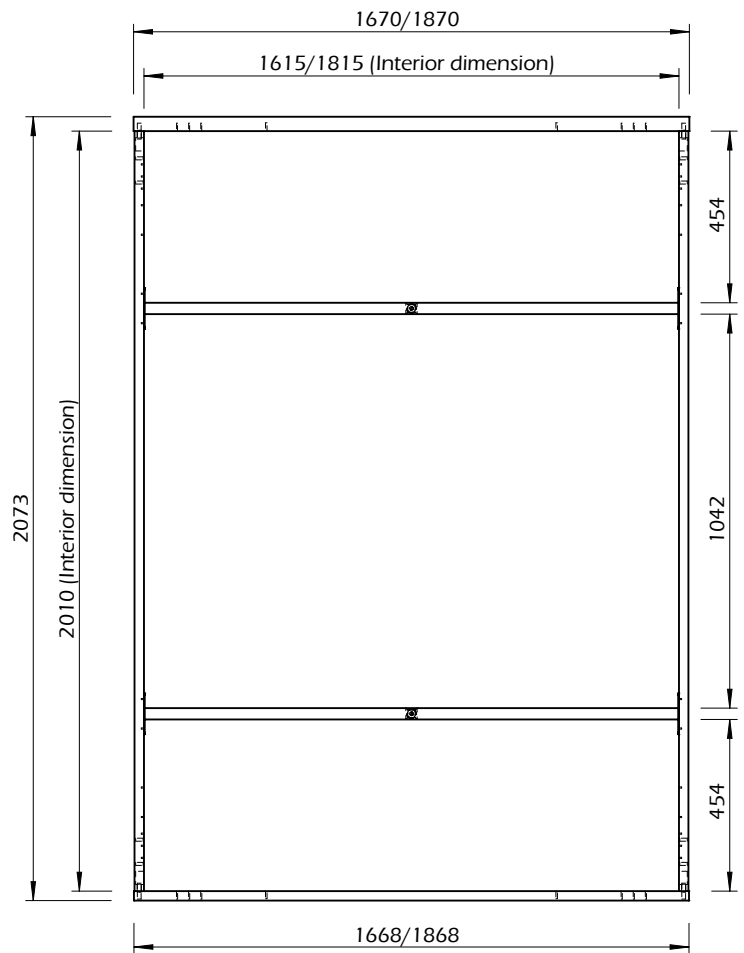
MARA BED STRUCTURE + RECTANGULAR HEADBOARD



METALIC FEET 160/180



WOODEN LEGS



350Kg