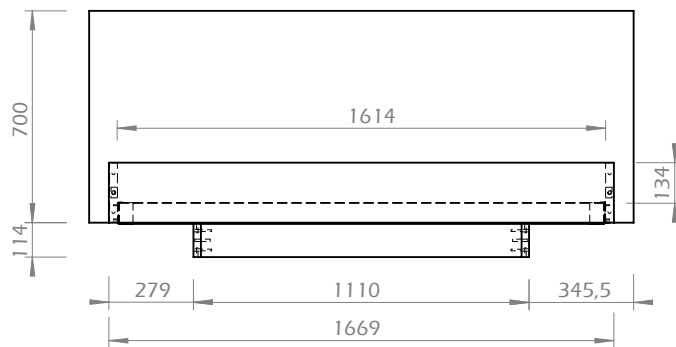
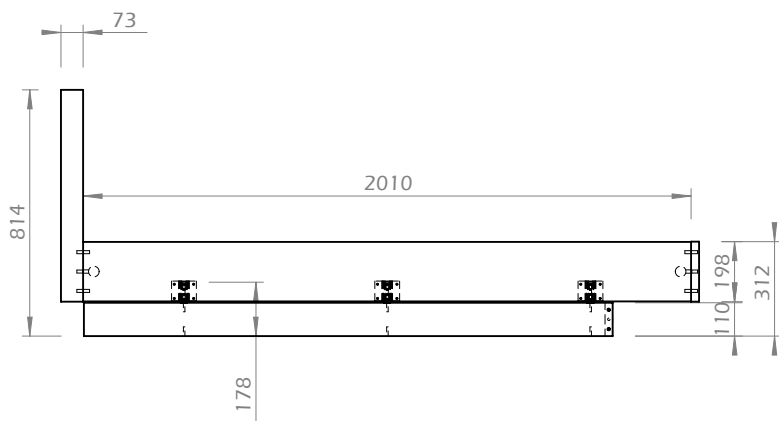
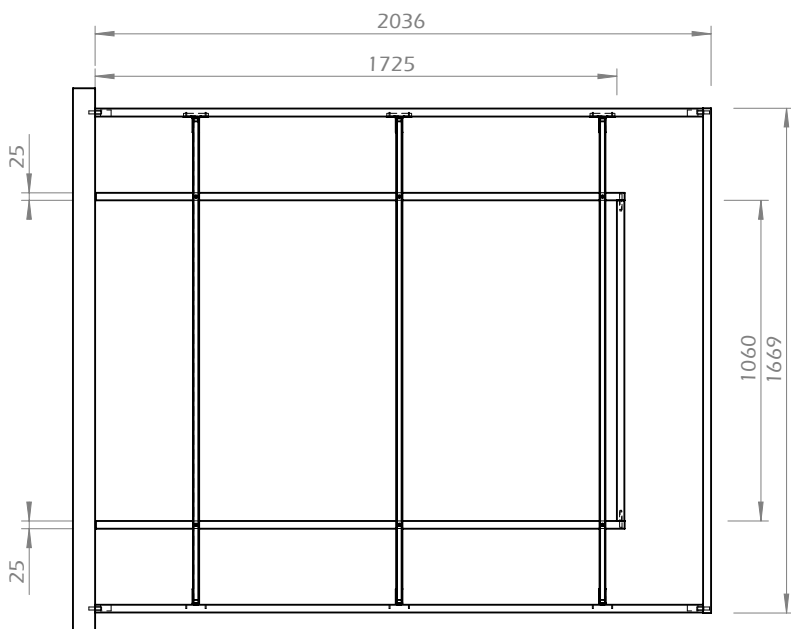
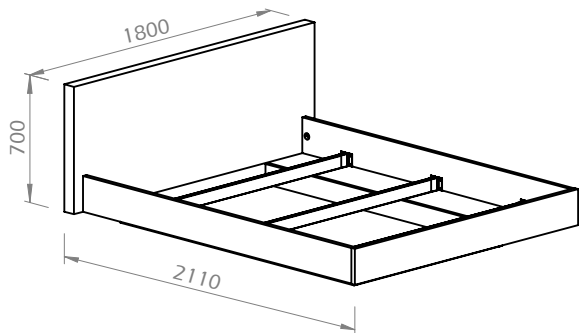
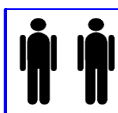


# Technical Information

## FLOAT



60min



400kg