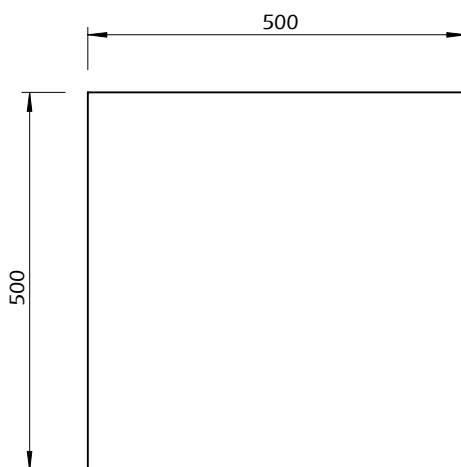
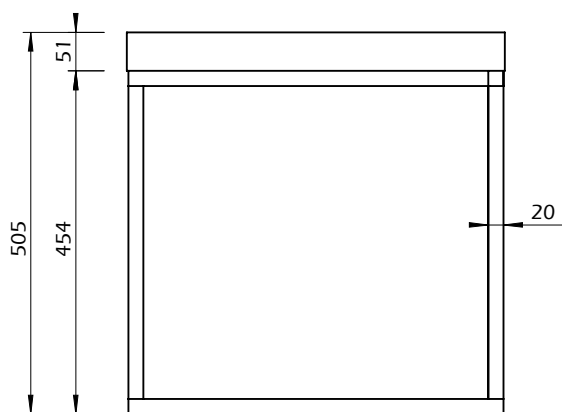
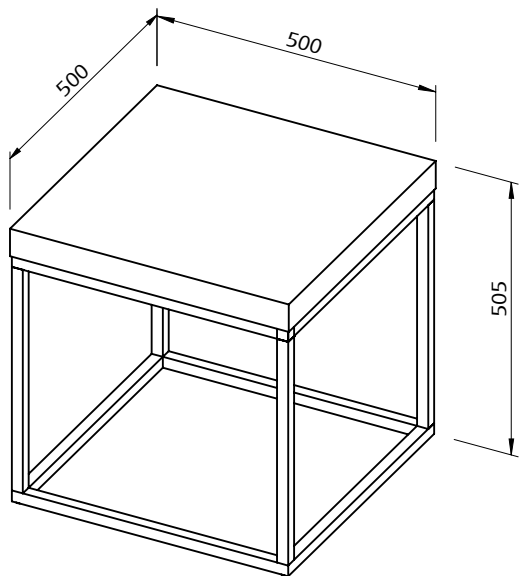


Technical Information

PRAIRIE 50x50x50



30min



10kg