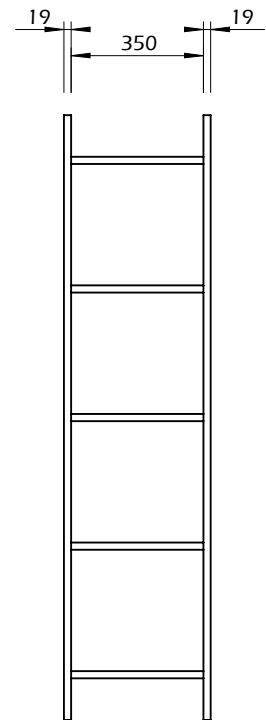
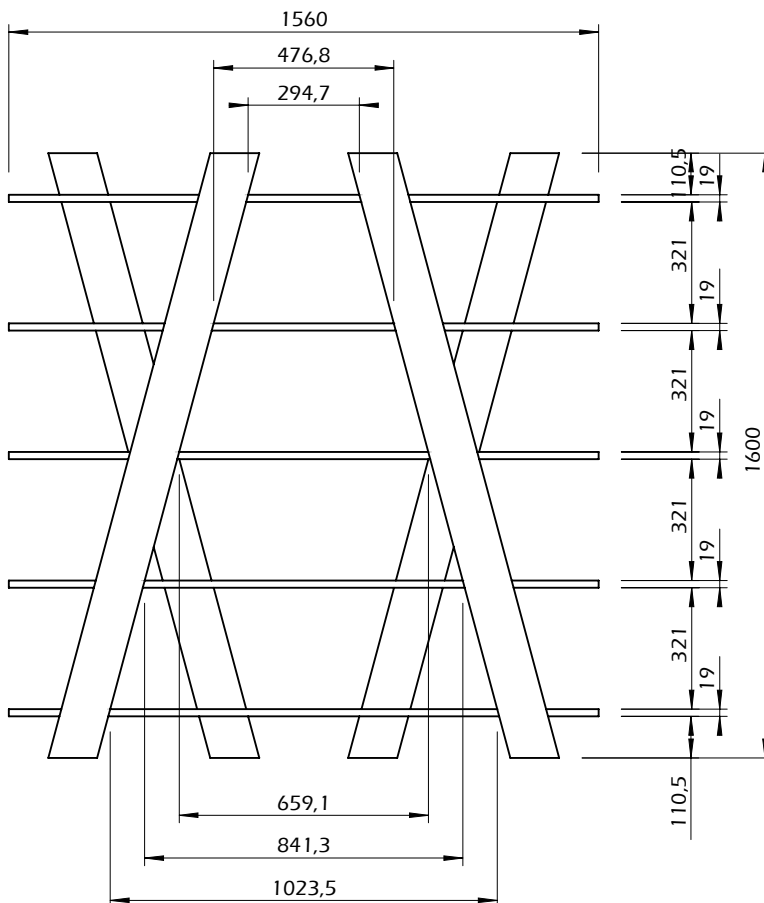
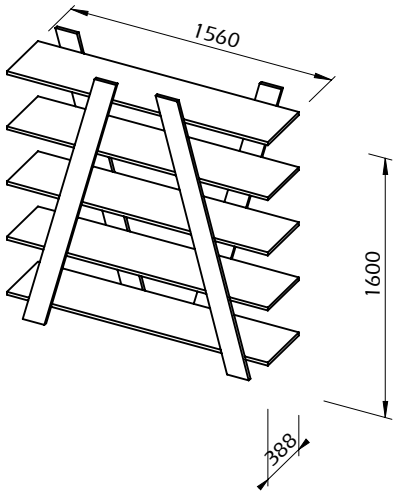


# Technical Information

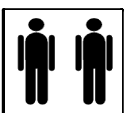


TEMAHOME

## WIND



60min



250kg

