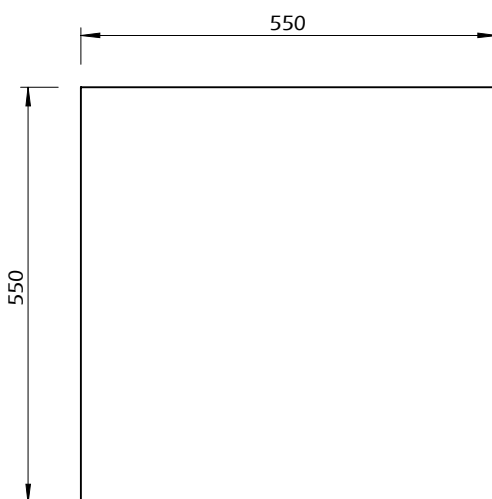
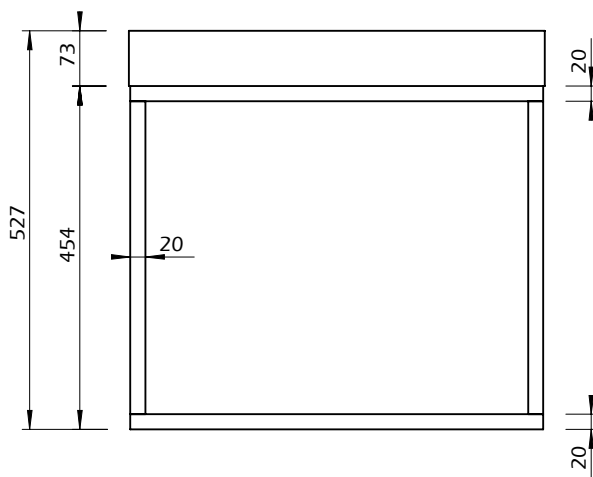
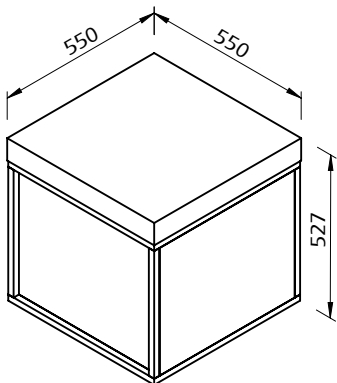


Technical Information

PETRA 55x55



10min



15kg