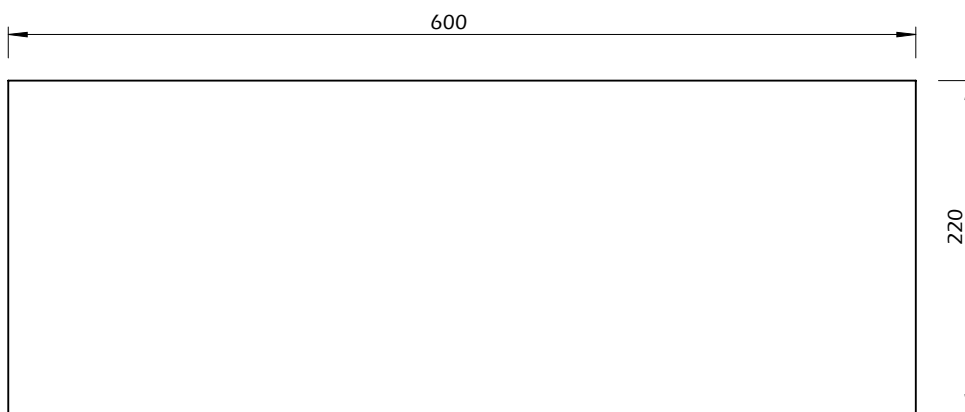
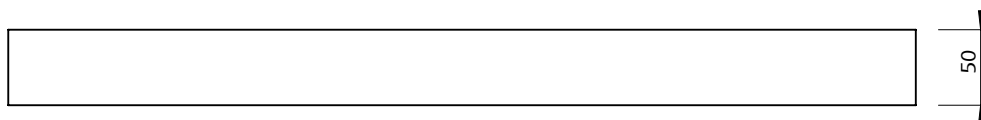
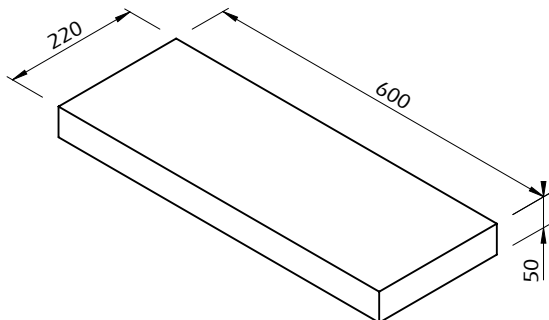


# Technical Information

BALDA 60



20min



15kg

