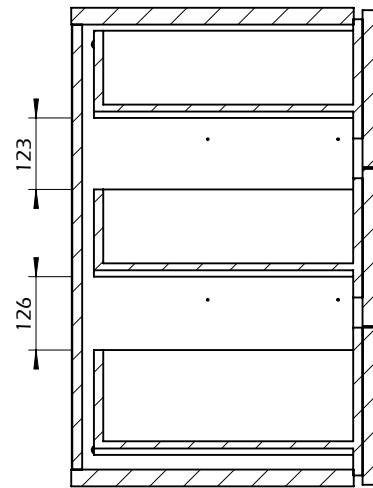
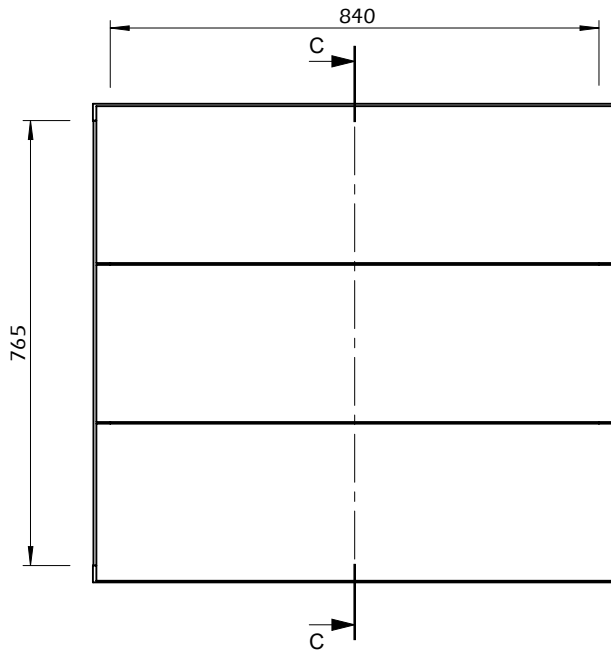
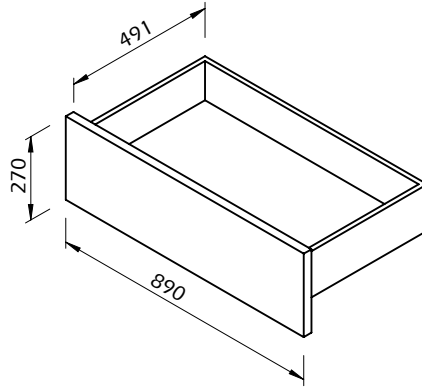
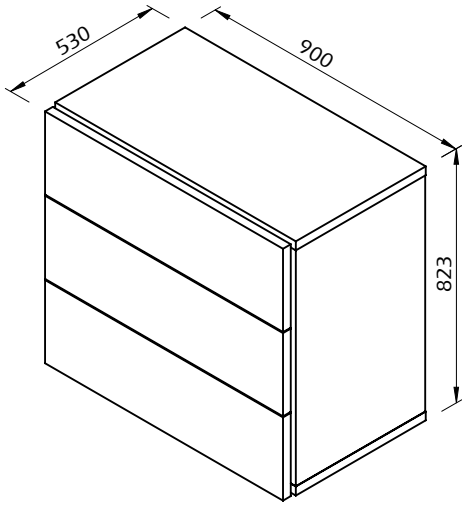


# Technical Information

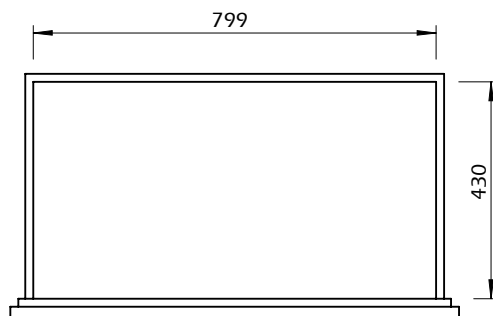
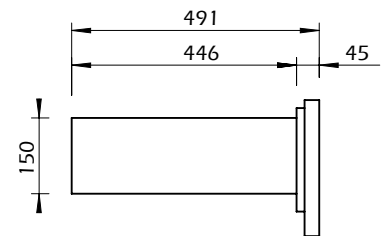
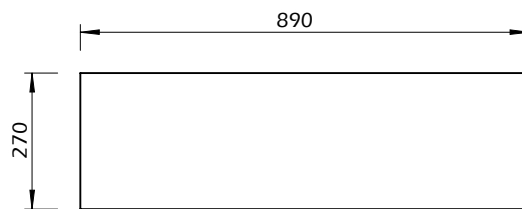
## AURORA



TEMAHOME



SECTION C-C  
SCALE 1 : 13



25min



20kg